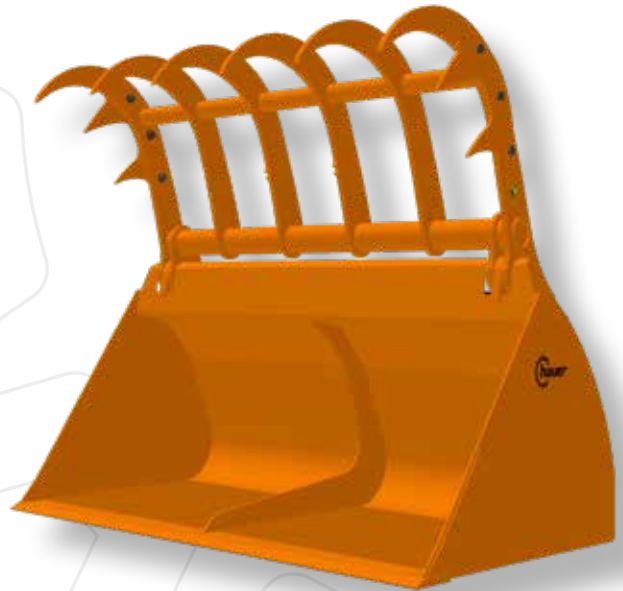


SILAGE GRAB BUCKET SGS-3



Application:

The Hauer silage grab bucket is a bespoke development for cutting maize silage and short grass silage from the clamp. The SGS-3 is suitable for any livestock farm and biogas facility where silage is removed from the clamp.

Operating principle:

The Hauer silage grab bucket has a curved bucket for easy removal of sticky materials. The large jaw opening also allows operators to load towards a wall without the down holder making contact with the wall. The down holder is positioned in a way that material can be loaded towards a wall when the down holder is fully opened. Made from high-quality steel, the massive and rugged attachment stands out for a low kerb weight.

A grid is also available to prevent the material from falling through the clamp when moving short-fibre silage.

Advantages:

- Rugged design with high-quality material
- Loading towards a wall is also possible when down holder is fully opened
- Strong and sturdy down holder with curved flat-band tines mounted in three bearings
- Stronger side plates
- Stronger cutting edge and wear strips



INNOVATION MIT TRADITION FÜRS LEBEN.

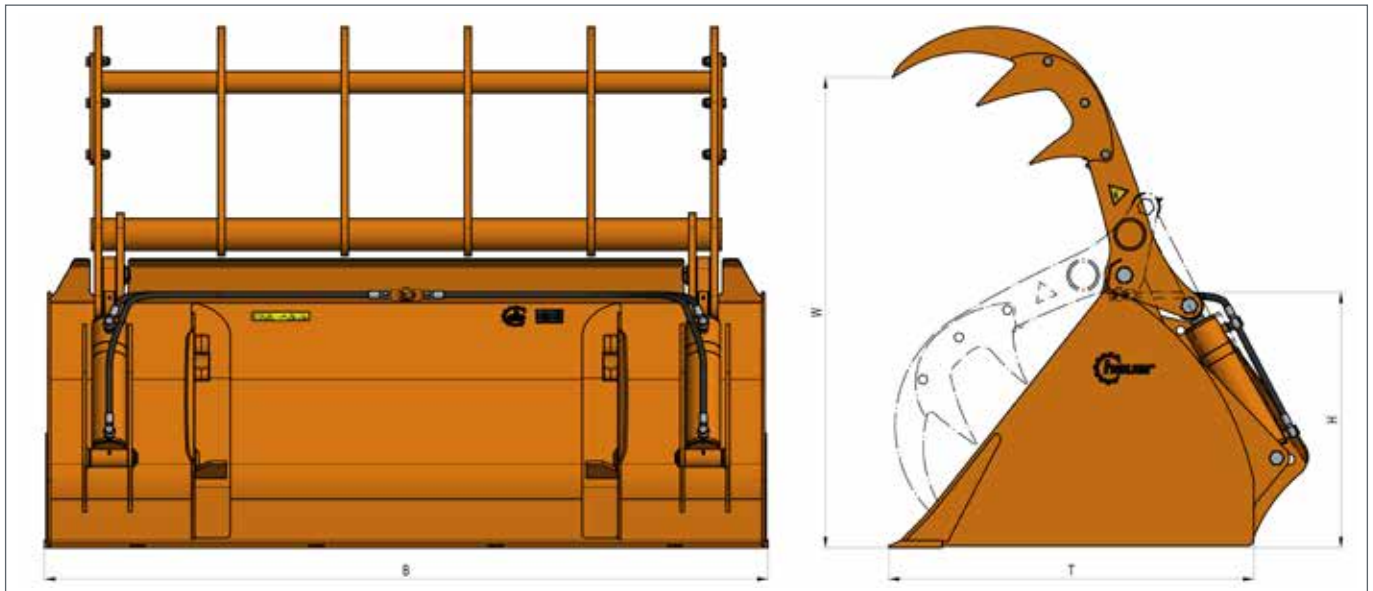
Standard specification:

- SWE-B mount (Hauer system) or SWE-Euro mount (Euro Hook)
- Standard Hauer orange or Hauer matt black paint finish
- Down holder with one bolted tine on each side

Options:

- Multiple mount options
- Grid for short-fibre silage
- Additional cutting edge
- Paint finish available in all RAL colours
- Pressure relief valve for working pressure higher than 190 bar

Width B mm	Volume full to the brim m ³	Nominal volume m ³	Depth T mm	Height H mm	Opening width W mm	No. of tines / bearing / internal wear ribs	Weight kg
1600	0,59	0,82	1020	710	1310	6 / 2 / 1	464
1800	0,67	0,92				6 / 2 / 1	489
2000	0,74	1,02				6 / 2 / 1	517
2200	0,82	1,13				8 / 2 / 2	583
2400	0,89	1,23				8 / 2 / 2	605
2550	0,94	1,30				8 / 2 / 2	622



Grid for short-fibre silage

© Hauer 2024/11. The illustrated products may differ from standard specification products. Subject to errors and changes.



Franz Hauer GmbH & CoKG, A-3125 Statzendorf, Werksstraße 6,

Tel.: +43 / (0)2786 / 7104-0 | info@hfl.co.at | www.hfl.co.at