

IMPLEMENT PROTECTION



Area of Application:

Covering of scraping edges of buckets or other implements to prevent risk of injuries and to improve the visibility for road traffic.

Operating Principle:

The implement protection is fixed with two rubber cords. For adjusting the width, the implement protection consists of two metal profiles, which can be intersected with one another. Therefore the implement protection can be used with implements with the most common sizes. It is available in two different widths.

Advantages:

- easy mounting by rubber cord
- fast mounting and removal
- protection against injuries, because sharp edges do not stick out
- warning labels enable good visibility of implements
- only small space for storage required due to width adjustment

Type:

- Implement protection small / large

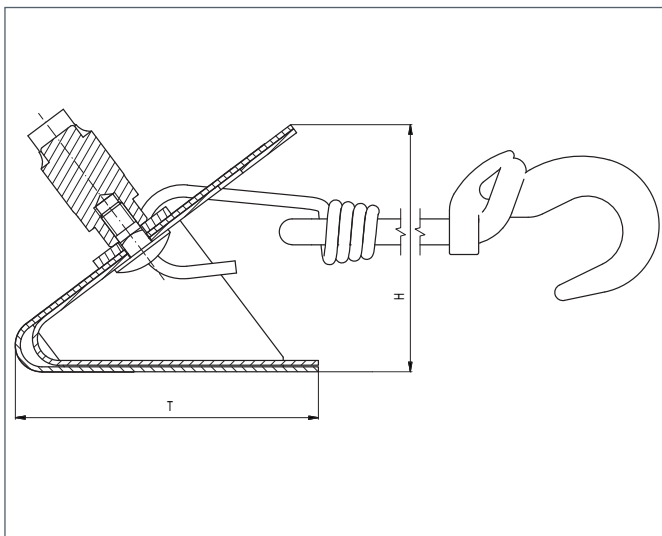
Technical Data	Article Nr.	Width mm	Height mm (H)	Depth mm (T)	Weight kg
Implement protection small	7037971	1200 - 1800	76	93	5
Implement protection large	7037813	2000 - 2600	76	93	7



INNOVATION WITH TRADITION FOR LIFE.



easily adjustable by quick-lock



© Hauer 05/2018. Images shown may differ from standard delivery. Errors excepted and technical changes reserved.

