

MULTICROCO BUCKET



Application:

The Hauer Multicroco bucket is designed for use on compact loaders and skid-steers where its main application is silage cutting and muck handling.

Operation Principle:

The Hauer Multicroco bucket has a curved back that helps prevent sticky materials from clogging. The bucket is 700mm deep and 580mm high. Its down holder can open 1,075mm so you can fill the bucket to capacity and load towards a wall without the down holder making contact with the wall. The operating weight has been reduced to a minimum for maximum skid-steer payload utilisation. The buckets are available in widths of 1,000mm to 2,000mm to suit all loader widths.

Advantages:

- Low operating weight to match all skid-steer loaders
- Generous 1,075mm jaw opening (loading towards a wall is possible)
- Versatile application (silage, manure, etc.)
- Sturdy down holder with 600mm long, curved and threaded tines



INNOVATION WITH TRADITION FOR LIFE.

Standard Specification:

- An SWE-B carriage (Hauer system) or SWE-Euro carriage (Euro hook carriage) are available for 1,200mm+ buckets
- Standard Hauer orange or Hauer matt black paint finish (all RAL colours are an option)
- Down holder with a bolted tine on each side

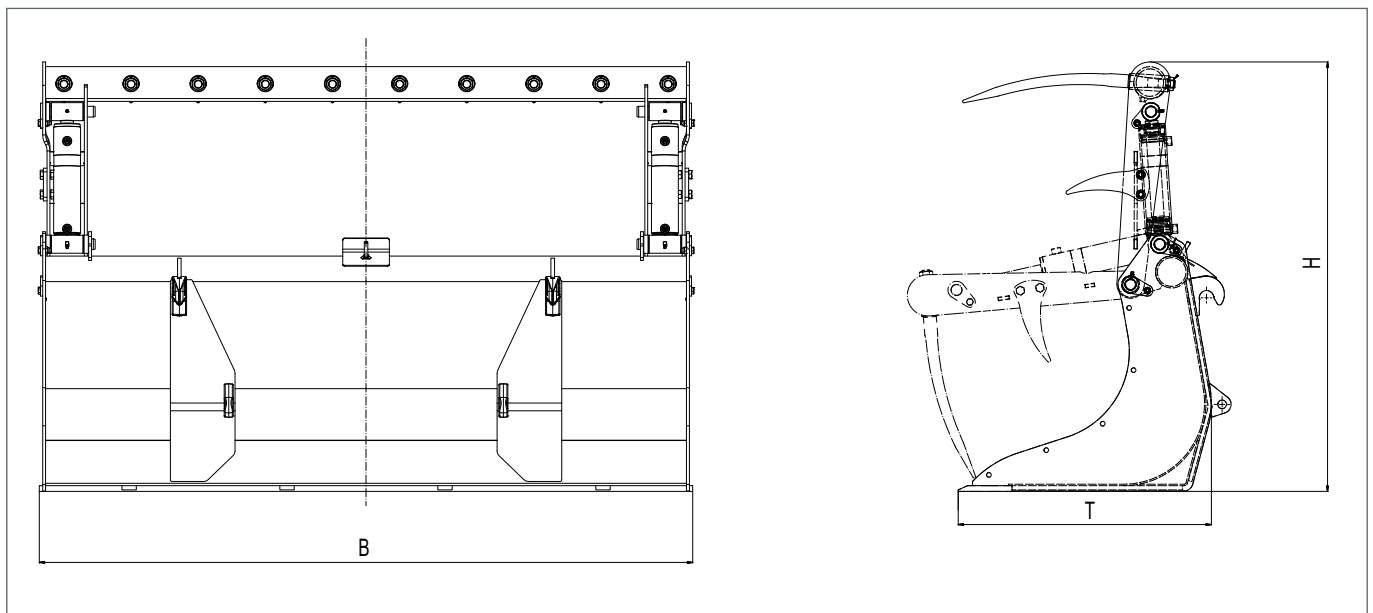
Options:

- Choice of carriages for many common coupling systems and 1000mm+ widths
- Bolted side extensions (also as a retrofit option c/w bolts)
- Paint finish in all RAL colours

Technical Data:

| Width mm | No. of tines | Volume m ³ | Pressing force kN | Height H mm | Depth T mm | Weight kg |
|----------|--------------|-----------------------|-------------------|-------------|------------|-----------|
| 1000* | 6 | 0,36 | 14,5 | 1200 | 705 | 195 |
| 1200 | 7 | 0,43 | 14,5 | 1200 | 705 | 210 |
| 1400 | 8 | 0,50 | 14,5 | 1200 | 705 | 232 |
| 1600 | 9 | 0,58 | 14,5 | 1200 | 705 | 240 |
| 1800 | 10 | 0,65 | 14,5 | 1200 | 705 | 255 |
| 2000 | 11 | 0,72 | 14,5 | 1200 | 705 | 281 |

* only available with optional carriage for loaders and skid-steers



© Hauer 10/2020. The illustrated products may differ from standard specification products. Subject to errors and changes.

