

BRUSHWOOD GRAB RG



Application:

The Hauer brushwood grab is a bespoke development for handling brush and tree trimmings and up to 120 mm tree branches.

Description:

Thanks to their special-design, the four massive tines dip easily into heavily branched material, picking up clippings and brushwood perfectly and allowing soil to drop from the load. The massive down holder is operated by two high-capacity rams that provide a firm grip on the material as it is being handled.

The extremely resistant 2K two-stage paint coat offers superb protection from corrosion and can be refinished in the course of a long service life.

Advantages:

- Picks up heavily branched brush and tree trimmings and up to about 120 mm diameter
- Allows stones and soil to drop from the load
- No material is lost during handling



INNOVATION WITH TRADITION FOR LIFE.

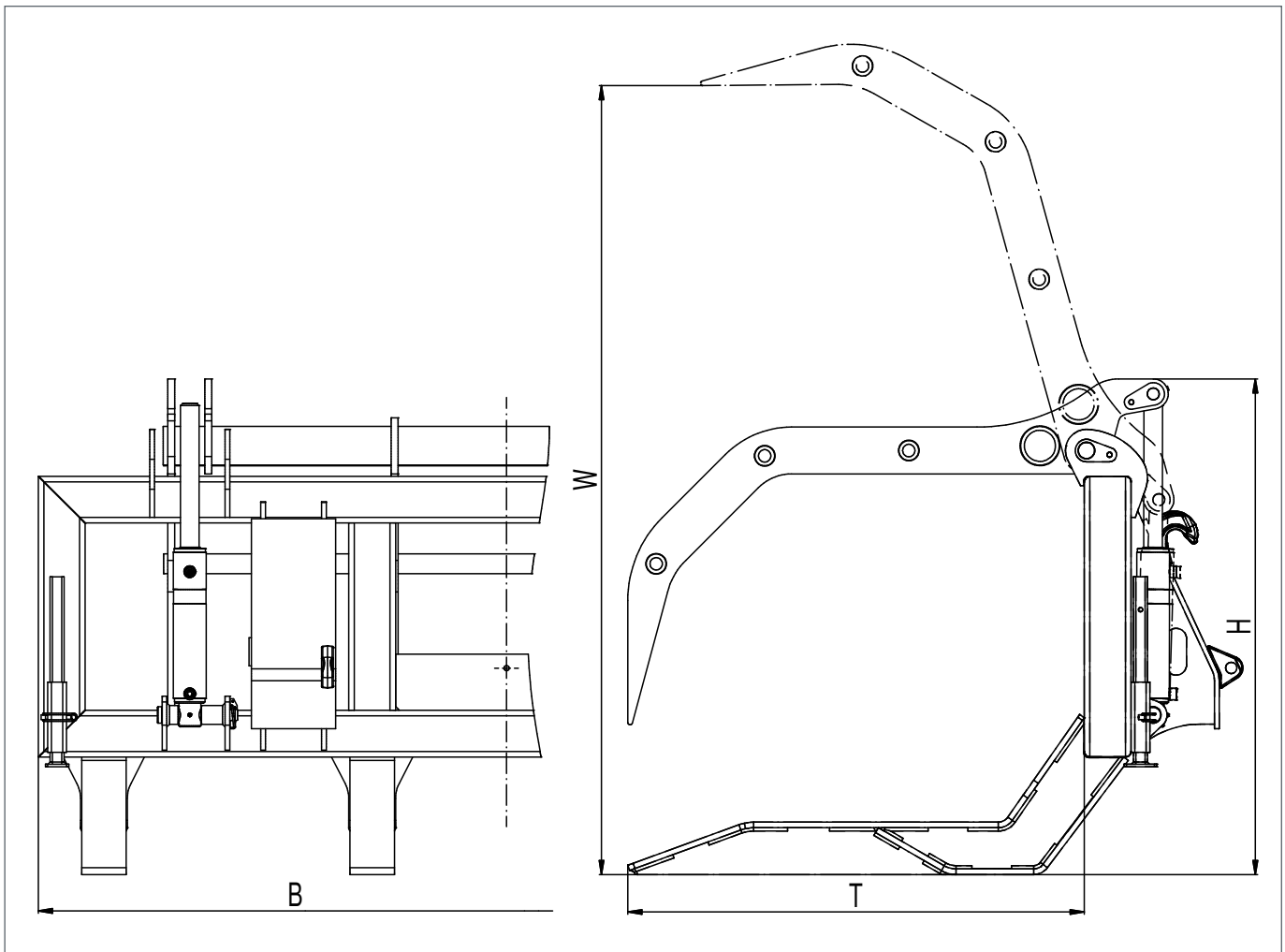
Width B mm	Depth T mm	Height H mm	Closing force kg	Opening width W mm	Weight kg
2000	975	1059	1860	1685	413

Standard specification:

- SWE-B mount (Hauer system) or SWE-Euro mount
- Standard Hauer orange or Hauer black paint finish
- Strong and sturdy down holder operated by two high-capacity rams

Options:

- Multiple mount options
- Paint finish available in all RAL colours



© Hauer 04/2024. Die gezeigten Bilder können vom serienmäßigen Lieferumfang abweichen. Irrtümer und technische Änderungen vorbehalten.



Franz Hauer GmbH & CoKG, A-3125 Statzendorf, Werksstraße 6,

Tel.: +43 / (0)2786 / 7104-0, info@hfl.co.at | www.hfl.co.at