

# LOGGING BLADE POS



## **Application:**

The Hauer logging blade is a bespoke development that stacks and loads round timber of any size.

## **Description:**

The curved design of the blade ensures an optimum grip on the logs. Short and compact, the blade is available with or without a down holder. This beefy down holder is operated by two hydraulic rams that open it to an enormous 155 – 1100 mm. This angle is adjusted by simply refitting two pins in their holes. The cutting edge is made from high-strength and hard-wearing steel which allows owners to use the logging blade also for grading and cleaning up sites. Furthermore, the blades have toothed sides that ensure the logs are securely held in place. Combined mounts for Euro and three-point linkage are an option.

An extremely resistant 2K two-stage paint coat offers superb protection from corrosion and can be refinished in the course of its long service life.



INNOVATION WITH TRADITION FOR LIFE.

## Advantages:

- Handles timber logs fast and easily
- Stacks round timber easily
- Great gripping pressure from massive closing cylinders
- Enormous jaw opening (155 – 1100 mm)
- Long service life from a rugged design
- Logs won't slip on the toothed sides
- Available in three versions to suit different applications

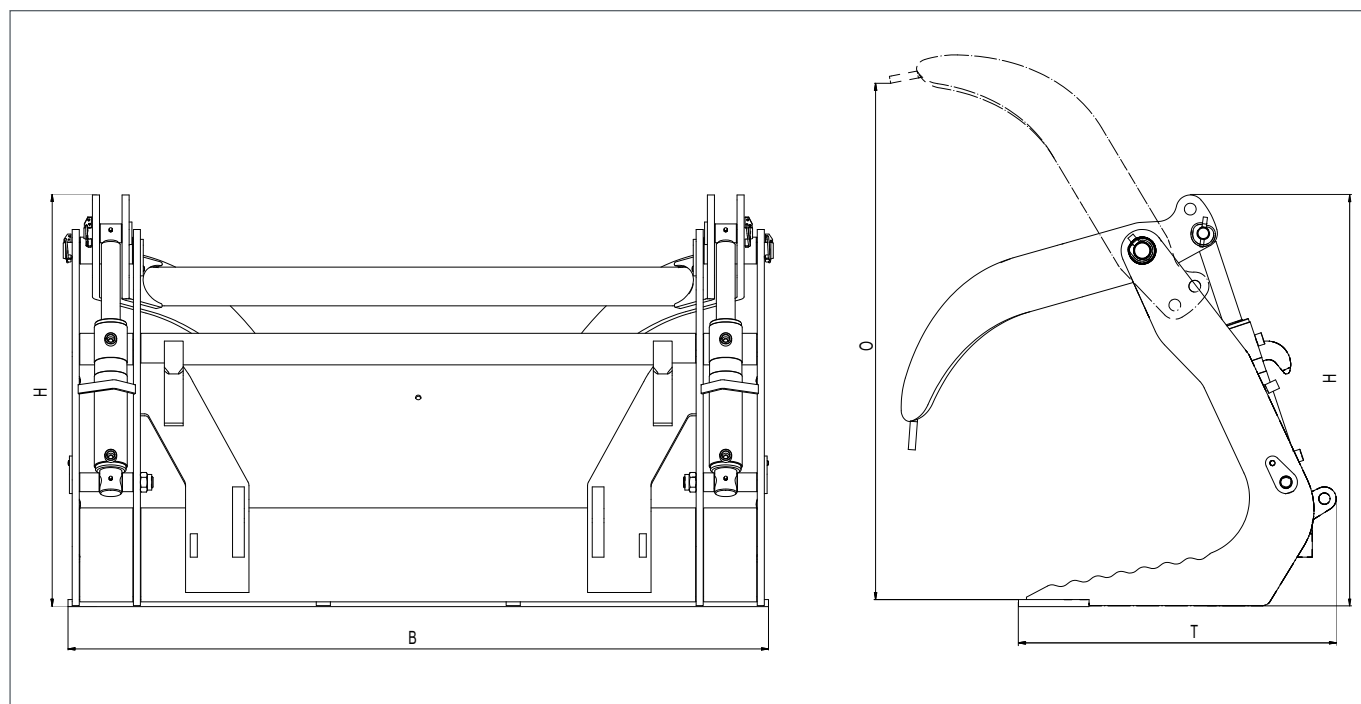
## Standard specification:

- SWE-B mount (Hauer system) or SWE-Euro mount or combined Euro/2-point mounts
- Standard Hauer orange or Hauer matt black paint finish
- With or without down holder depending on specification

## Options:

- Multiple mount options
- Paint finish available in all RAL colours
- Storage provision for hydraulic cylinders when the down holder is removed

Description	Width B mm	Depth T mm	Height H mm	Gripping pressure kg (400 mm opening)	Max. jaw opening mm	Weight kg
logging blade without down holder	1500	685	805	-	-	147
logging blade with down holder	1500	685	875	2100	1100	298
logging blade with down holder with combined mounts	1500	715	875	2100	1100	347



© Hauer 10/2020. The illustrated products may differ from standard specification products. Subject to errors and changes..