

SILAGE GRAB SBZ 915



Application:

The Hauer silage bale grab was developed for handling round silage bales of 950-1500mm diameters.

Description:

The clever SBZ-915 geometries ensure an optimum grip and optimum performance in stacking. A standard-fit check valve stops any cylinder creep and ensures the grab maintains a firm grip on the bale.

The SBZ-915 is also available for 3-point attachment. All silage bale models built from 08-2013 feature standard 3-point hitch points which can also be retrofitted.

In addition, optional mounting plates offer combined 3-point and SWE-Euro attachment or 3-point and SWE-B Hauer attachment. This makes the SBZ a universal tool that is equally suitable for use on front loaders or in the front or rear linkage.

The 3-point hitch version has a foldable stand for convenient attachment and removal. A pressure relief valve is required for 190bar and higher pressures.

Advantages:

- Heavy-duty build
- Choice of mounting plates for universal attachment
- Integral check valve ensures optimum grip on the bale
- All pins pivot in replaceable bronze bushings



INNOVATION WITH TRADITION FOR LIFE.

Standard specification:

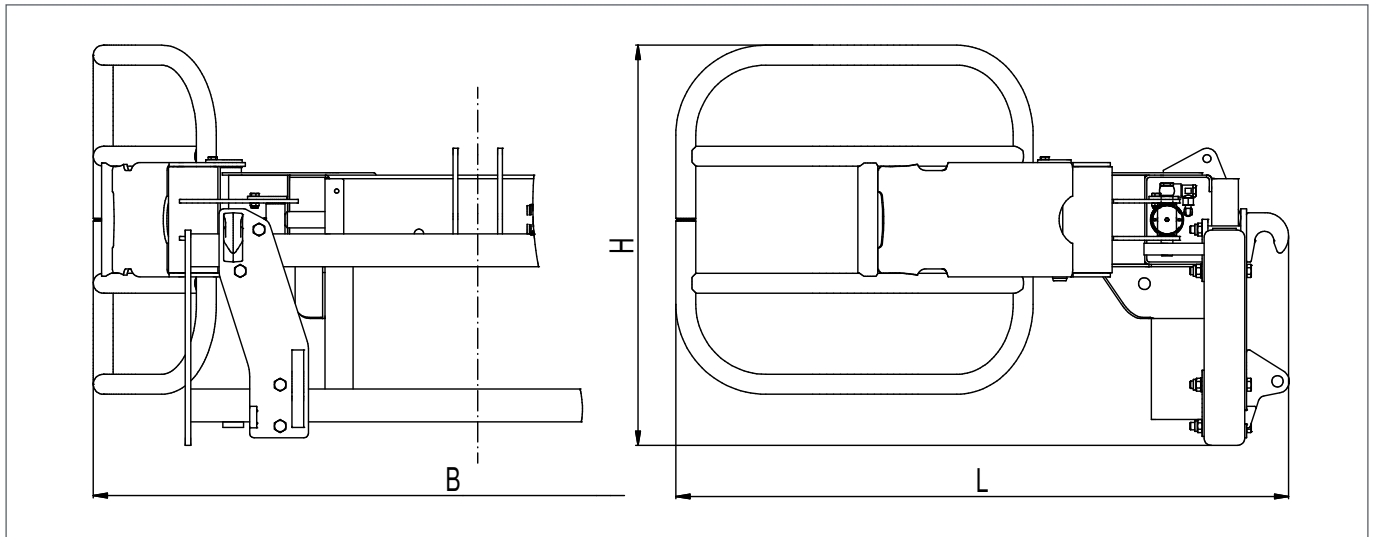
- SWE-EURO mount or SWE-Hauer mount
- Standard Hauer orange or Hauer matt black paint finish
- Check valve inside the grabbing cylinder

Options:

- Multiple mount options
- Paint finish available in all RAL colours
- Pressure relief valve for working pressure higher than 190 bar
- Mounting plates for 3-point attachment and SWE-Hauer and Euro carriages

Technical data:

Opening mm	Width B mm	Length L mm	Height H mm	Weight kg
950 - 1500	1540	1445	740	215



© Hauer 10/2020. Die gezeigten Bilder können vom serienmäßigen Lieferumfang abweichen. Irrtümer und technische Änderungen vorbehalten.